

Instructions for assembly Push handles foldable

1. To attach these handles to your wheelchair the first step is to remove the end plug on the top of the backrest frame.

2. You then unscrew the quick lock (6) from the tubing of the push handle and remove the washer (7).

3. Make sure that the hinge of the locking block (5) is visible in the hole in the tubing of the push handle (2).

4. Take care to check that you attach the correct handle on each side so that the handles are pointing inwards and not pointing away from the chair.

5. Insert the handle tubing into the backrest frame until you can see the hinge of the locking block in the hole on the backrest frame.

6. Then screw the washer and quick lock tightly into the backrest frame.

7. Try pulling the handle upwards. If it is correctly attached you will not be able to move it. If you are able to pull it up, then either you have not screwed it on securely enough or the locking block has twisted so that the hinges are not positioned in the right direction.

8. Repeat this procedure with the second handle.

9. When the push handles are supplied to you they are assembled and complete.

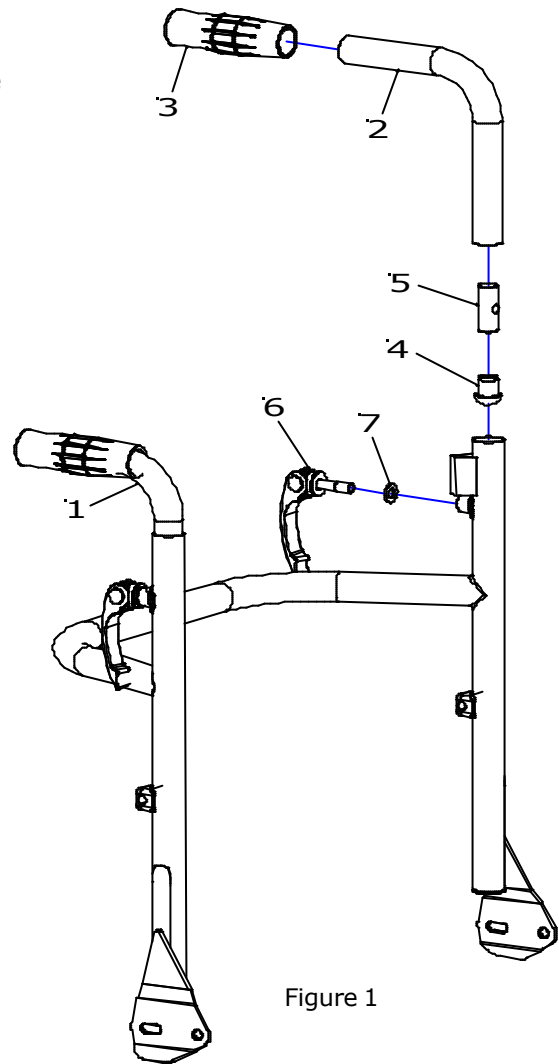


Figure 1