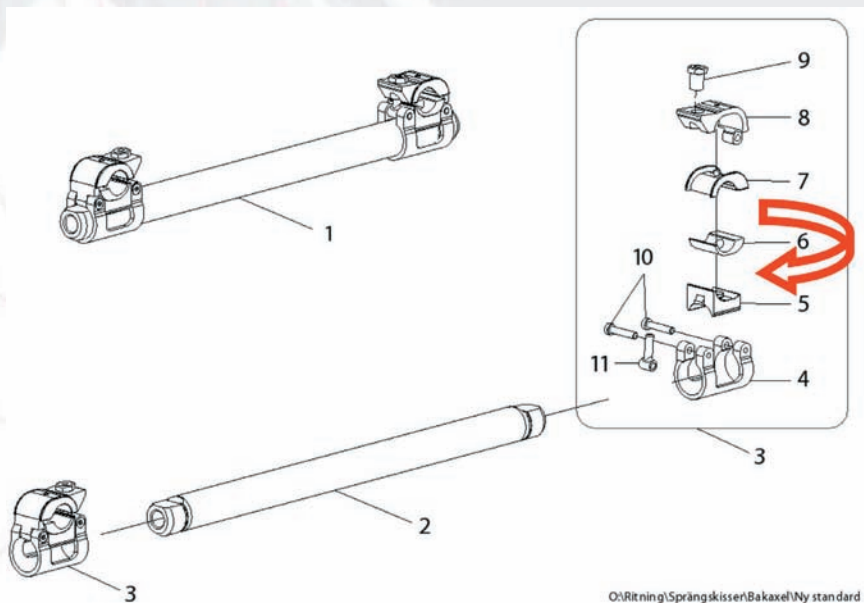


Mounting of short rear Carbon axle

When mounting the short rear Carbon axle, (not +15mm) the plastic parts 6 and 7 should be turned around 180 dgr for the mounting to be correct. See image.



The std length of the Carbob axle (+15mm) should be mounted with the plastic parts 6 and 7 as the image shows.