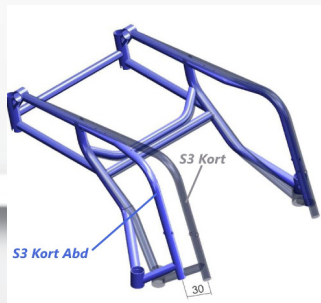


New products in the extended range

Click on images for larger format



EXTENDED RANGE WHEELCHAIRS

WHEELCHAIRS IN THE EXTENDED RANGE

We would like to inform you about our 8 new wheelchairs, variations of the standard models, that we present in the extended range.

20 years' experience in building special orders has given us the basis for our customers' needs outside the standard range. We can now present our extended range: a complete selection of the most common special-order solutions, now at a lower price and with shorter delivery times. Delivery time for these wheelchairs is 20 days

Wheelchairs - U3 models with Y-front

Y-front gives full frame width for the user's thighs and then narrows down the frame front to the fixed footplate, where the feet rest together.

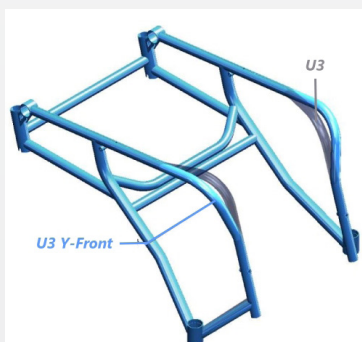


U3 LIGHT Y FRONT

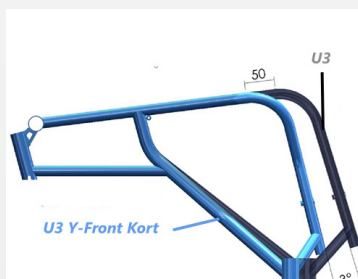


U3 LIGHT Y FRONT 90°

Click on images for larger format



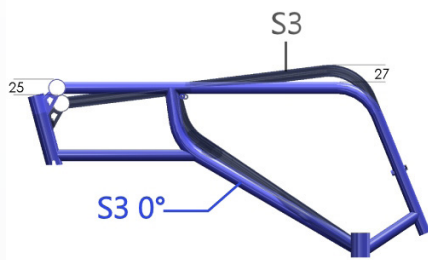
U3 Y FRONT



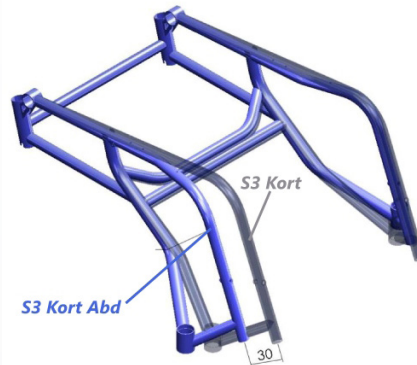
U3 Y FRONT SHORT

See more on next page ->

Wheelchairs - S3 models



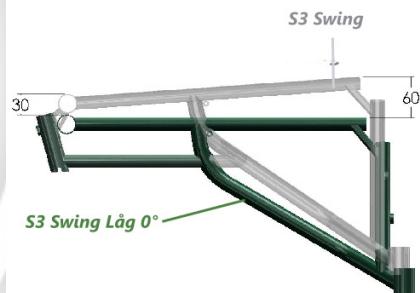
S3 0°
S3 0° has a flat seat angle
compared to S3



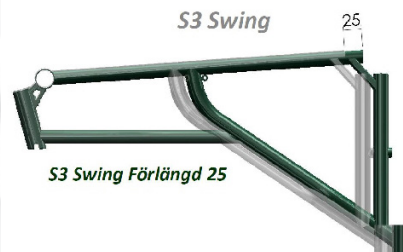
S3 SHORT ABD
S3 short Abd is a S3 Short with
Abduction front, and a 4° seat angle

Click on images for larger format

Wheelchairs - S3 Swing models



S3 SWING LOW 0°
S3 Swing Low 0° has a flat seat angle and lower seat
height compared to S3 Swing



S3 SWING EXTENDED 25
S3 Swing Extended 25 is extended 25 mm
compared to S3 Swing