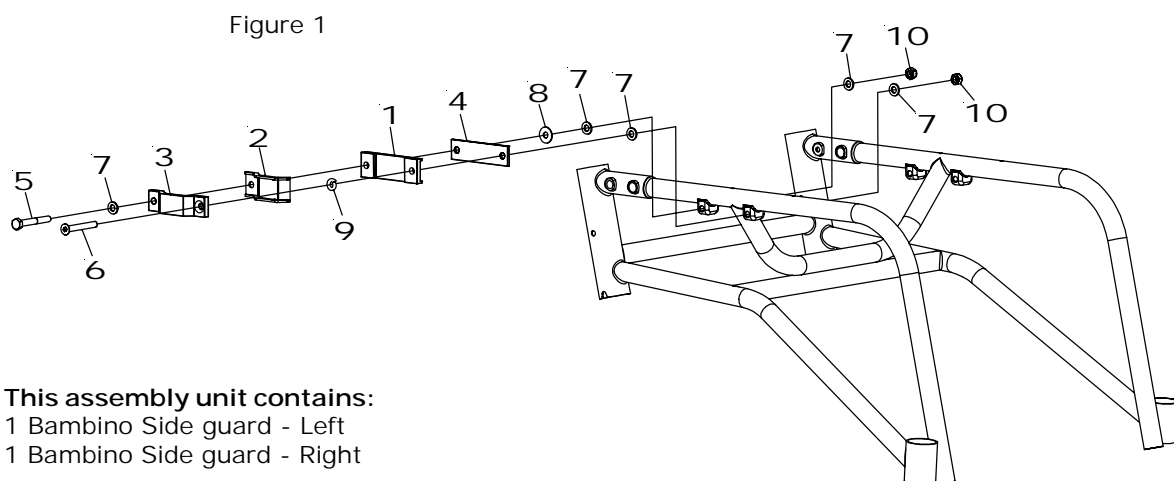


Instructions for assembly Side guards Bambino

How to assemble your Bambino side guards:

1. Check that you have received all the parts on the list below.
2. Attach the side guard mountings loosely as shown in figure 1.
(The bolt with the hexagon head should be placed closest to the back on both sides)
3. Insert the side guard into the mounting. (figure 2)
4. Tighten the bolt with the hexagon head securely and the bolt with the socket loosely.
5. Adjust using the socket bolt so that the side guard is easily inserted and removed. (figure 2)

NB! The side guard mounting tubing is 126mm for Bambino chairs with 24" wheels.
The side guard mounting tubing for Bambino chairs with 20" or 22" wheels is 102mm.
See figure 2.



This assembly unit contains:

- 1 Bambino Side guard - Left
- 1 Bambino Side guard - Right

Details in the enlarged diagram (Figure 1)

1. 2 Side guard bushings
2. 2 Armrest bushings
3. 2 Armrest mounting clamps
4. 2 Short side guard mounting brackets
5. 2 Bolts M6S M6x45 (hexagon head)
6. 2 Bolts MF6S M6x45 (recessed socket)
7. 10 Washers 6x12
8. 2 Washers 6x16
9. 2 Washers FBB M6
10. 4 Locking nuts M6 low

