

Instructions for assembly Sideguard U2 light, 24"

How to assemble your Side guards U2 light for 24" rear wheels:

1. Check that you have received all the parts listed below.
2. Begin by assembling the attachments for the chassis as shown in figures 1 and 2. Do this on both sides of the chair.

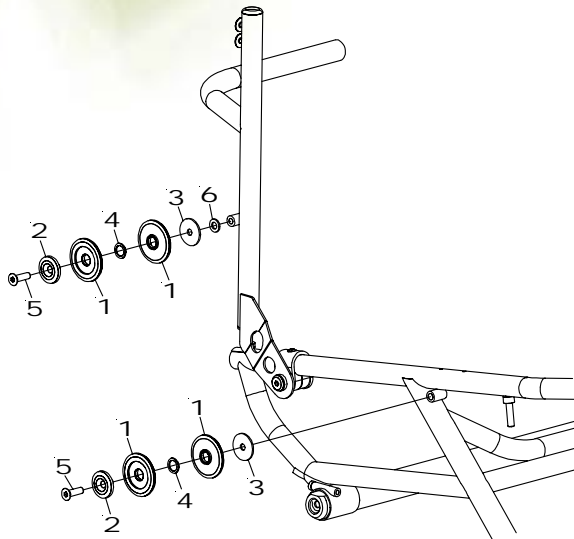


Figure 1

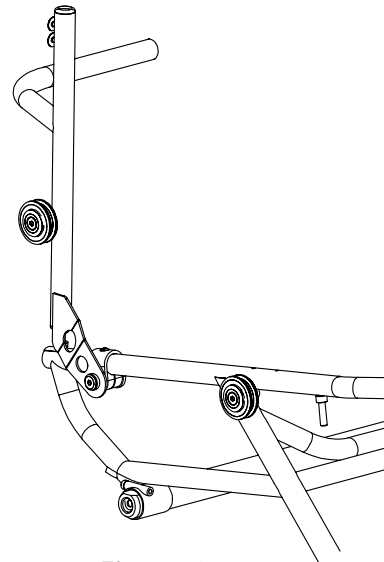


Figure 2

3. Then assemble the side guards as shown in figures 3 and 4.
4. Push the side guards into the attachments. Make sure you place the appropriate side guard in position on the correct side of the chair. The attachment plate (8) should be on the outside facing the rear wheel.

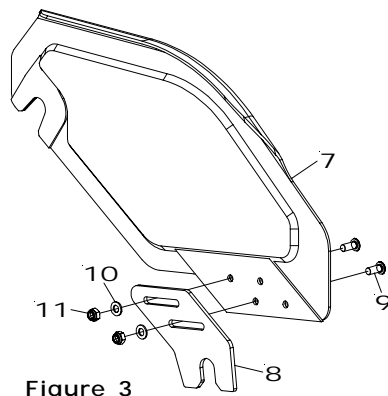


Figure 3

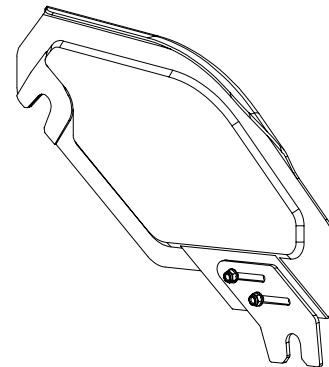


Figure 4

- 1.) 8 Plastic roll backrest
- 2.) 4 Roll backrest
- 3.) 4 Washer 6x25x1,5
- 4.) 4 Washer 10x14x1
- 5.) 4 Bolt MF6S M6x25
- 6.) 2 Washer 6,4x12
- 7.) 2 Cover plate U2 light 24" (NB! 1 right and 1 left)
- 8.) 2 Attachment plate side guard U2 light
- 9.) 4 Bolt K6S M5x12
- 10.) 4 Washer 5,3x10x1
- 11.) 4 Lock nut M5