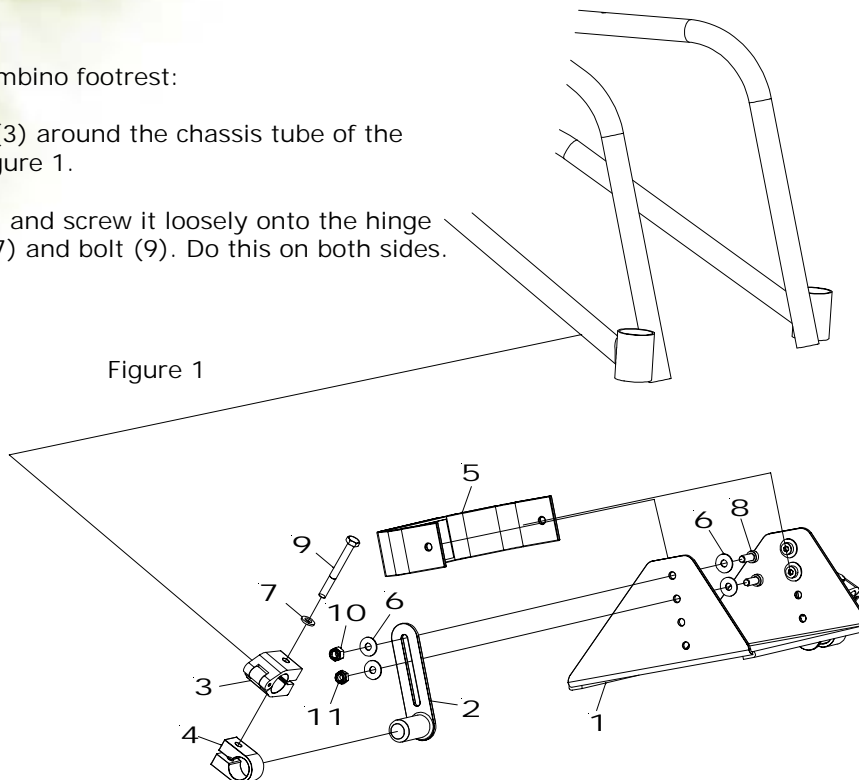


Instructions for assembly Footplate Bambino

How to assemble your Bambino footrest:

1. Place the hinge clamp (3) around the chassis tube of the wheelchair as shown in figure 1.
2. Take the simple clip (4) and screw it loosely onto the hinge clamp using the washer (7) and bolt (9). Do this on both sides.

Figure 1



3. Then position "the Bambino footrest mounting" (2) in the "simple clip" (4). Do this on both sides.
4. You can now pull the footrest up and down along the chassis tubing of the chair and angle the footrest as required.
5. When you have found your optimum height and angle position for the footrest, tighten the bolt (9) securely.

Details in the enlarged diagram (Figure 1)

1. 1 Bambino footplate
2. 2 Bambino footplate mountings
3. 2 hinge clamps
4. 2 simple clips
5. 1 Bambino calf band
6. 8 washers 6x16
7. 2 washers 6x12
8. 4 bolts MLC6S M6x16
9. 2 bolts M6S M6x55
10. 2 locking nuts M6 high
11. 2 locking nuts M6 low

Figure 2

