

## Instructions for assembly Push handles fixed

1. When the push handles are supplied to you they are assembled and complete.
2. To attach these handles to your wheelchair the first step is to remove the end plug on the top of the backrest frame.
3. You then unscrew the screw (6) from the tubing of the push handle and remove the washer (7).
4. Make sure that the hinge of the locking block (5) is visible in the hole in the tubing of the push handle (2).
5. Push the handle tubing down into the backrest frame until you can see the hinge of the locking block in the hole on the backrest frame.
6. Then screw the washer and screw tightly into the backrest frame.
7. Try pulling the handle upwards. If it is correctly attached you will not be able to move it. If you are able to pull it up then either you have not screwed it on securely enough or the locking block has twisted so that the hinges are not positioned in the right direction.
8. Repeat this procedure with the second handle.

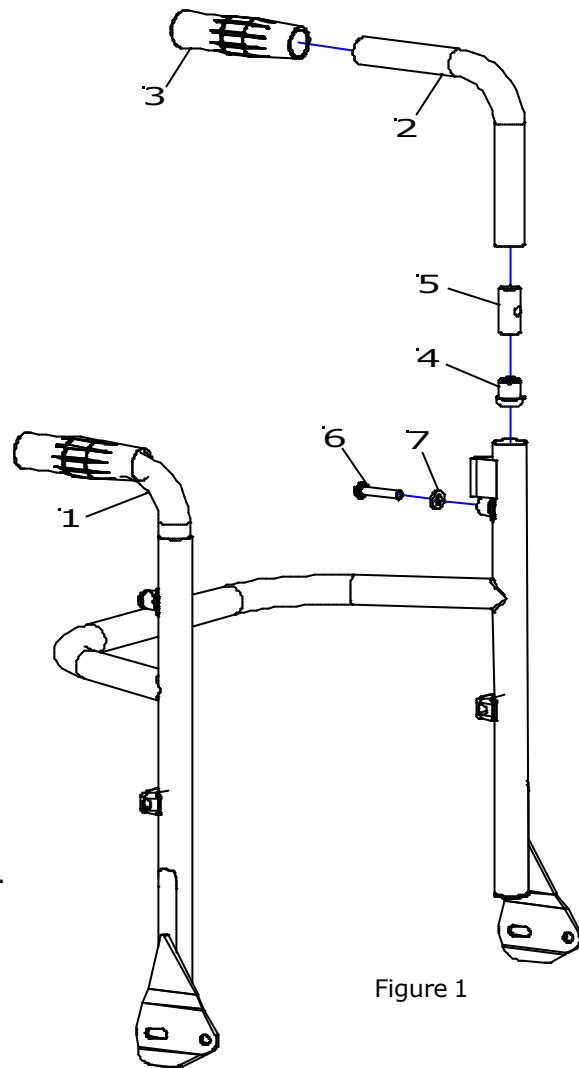


Figure 1